

# 302.7D

Mini Hydraulic Excavator



#### Engine

Net Power	15.2 kW	20.7 hp
Gross Power	17.9 kW	24.3 hp

#### Weight

Transport weight	2670 kg	5,890 lb
------------------	---------	----------

## Engine

Engine Model	Yanmar 3TNV76
Rated Net Power (ISO 9249)	15.2 kW 20.7 hp
Gross Power	17.9 kW 24.3 hp
Displacement	1115 cm <sup>3</sup> 68 in <sup>3</sup>

## Weight

Transport Weight with Cab	2670 kg 5,886 lb
Transport Weight with Canopy	2577 kg 5,681 lb

## Travel System

Travel Speed	2.1 km/h/ 1.30 mph/ 3.8 km/h 2.36 mph
Gradeability	30°/58%

## Service Refill Capacities

Fuel Tank Capacity	35.2 L 9.3 gal
Hydraulic Tank Capacity	26.5 L 7 gal

## Blade

Width	1570 mm 61.9 in
Height	290 mm 11.4 in
Dig Depth	419 mm 16.5 in
Lift Height	380 mm 15 in

## Hydraulic System

Pump Flow @ 2,500 rpm	89.4 L/min	23.6 gal
Operating Pressure – Equipment	225 bar	3,263 psi
Operating Pressure – Travel	225 bar	3,263 psi
Operating Pressure – Swing	206 bar	2,987 psi
Auxiliary Circuits		
Primary	52.2 L/min at 225 bar (13.8 gal/min at 3,263 psi)	
Secondary	30.8 L/min at 206 bar (8.1 gal/min at 2,988 psi)	
Maximum Bucket Force	22.5 kN	5,058 lbf
Maximum Stick Force Standard/Long	15.4 kN/ 13.6 kN	3,462 lbf/ 3,057 lbf

## Lift Capacity at Ground Level

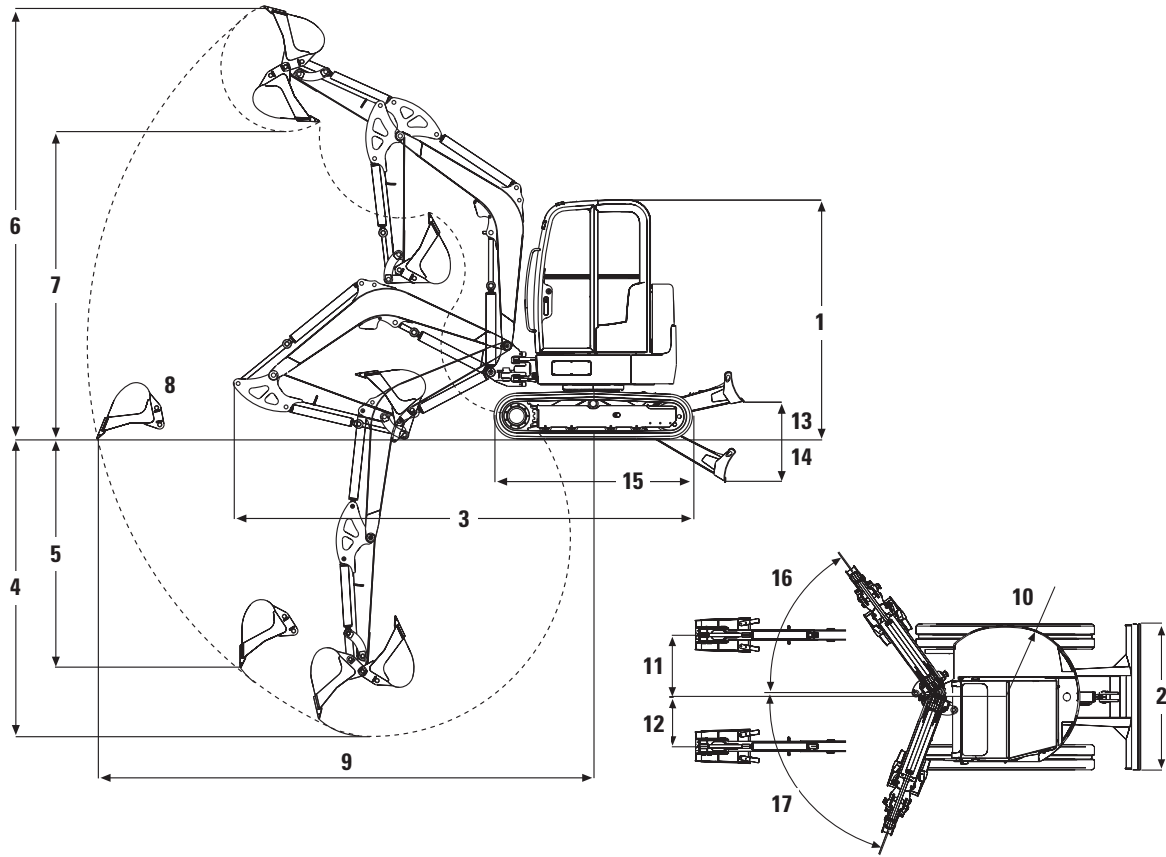
Lift Point Radius	2.5 m (98.43 in)				3.0 m (118.11 in)				3.5 m (137.80 in)				Maximum			
	Front		Side		Front		Side		Front		Side		Front		Side	
	kg	lb	kg	lb	kg	lb	kg	lb	kg	lb	kg	lb	kg	lb	kg	lb
Standard Stick	965*	2,127	560	1,235	730*	1,609	435	959	585*	1,290	355	783	510*	1,124	320	705
Long Stick and Optional Counterweight	955*	2,105	623	1,373	720*	1,587	483	1,065	580*	1,279	394	869	470*	1,036	332	732

\* The above loads are in compliance with hydraulic excavator lift capacity rating standard ISO 10567:2007 and they do not exceed 87% of hydraulic lifting capacity or 75% of tipping capacity. The excavator bucket weight is not included on this chart.

# 302.7D Specifications

## Dimensions

All dimensions are approximate



1	Height	2408 mm	7 ft 11 in
2	Width	1570 mm	5 ft 2 in
3	Transport length (arm lowered)	4255 mm	14 ft 0 in
4	Maximum digging depth	2544/2744 mm	8 ft 4 in/9 ft 0 in
5	Maximum vertical dig depth	1962/2152 mm	6 ft 5 in/7 ft 1 in
6	Maximum dig height	4170/4300 mm	13 ft 8 in/14 ft 1 in
7	Maximum dump height	2840/2970 mm	9 ft 4 in/9 ft 8 in
8	Maximum reach	4613/4805 mm	15 ft 1 in/15 ft 10 in
9	Maximum reach at ground level	4481/4681	14 ft 8 in/15 ft 5 in
10	Tail swing radius	760 mm	30 in
11	Track width	764 mm	30 in
12	Minimum front linkage swing radius	533 mm	21 in
13	Maximum dozer lift height	380 mm	15 in
14	Maximum dozer dig depth	419 mm	16 in
15	Length of undercarriage	2006 mm	79 in
16	Boom swing angle (Right)		50°
17	Boom swing angle (Left)		75°

## Standard Equipment

Standard equipment may vary. Consult your Cat dealer for details.

300 mm rubber track	Working light mounted to boom	Suspension seat, vinyl covered
1-way and 2-way (combined function) auxiliary hydraulic lines	Canopy with Tip Over Protection (TOPS) ISO 12117	Travel pedals
Dozer blade with float function	Retractable seat belt	Maintenance free battery
		Hydraulic oil cooler

## Optional Equipment

Optional equipment may vary. Consult your Cat dealer for details.

Cab, radio ready with FOPS ISO 10262 (Level 1), Tip Over Protection (TOPS) ISO 12117, heater/defroster, interior light and windscreen wiper/washer	Front screen guard for cab and canopy	Thumb ready stick (Standard in North America)
Suspension seat, fabric covered	Ecology drain for hydraulic tank	Custom color paint
Boom check valve	Bio Oil	Joystick mounted proportional auxiliary control
Mirror pack	Ecology drain for engine oil	
Mechanical quick coupler	Rotating beacon	
	Additional hydraulic circuit diverted from bucket cylinder	
	Auto idle (Standard in North America)	

# 302.7D Mini Hydraulic Excavator

For more complete information on Cat products, dealer services, and industry solutions, visit us on the web at [www.cat.com](http://www.cat.com)

© 2012 Caterpillar Inc.  
All rights reserved

Materials and specifications are subject to change without notice. Featured machines in photos may include additional equipment. See your Cat dealer for available options.

CAT, CATERPILLAR, SAFETY.CAT.COM, their respective logos, "Caterpillar Yellow" and the "Power Edge" trade dress, as well as corporate and product identity used herein, are trademarks of Caterpillar and may not be used without permission.

AEHQ6207-02 (04-2012)  
Replaces AEHQ6207-01

