



# Cat<sup>®</sup> 249D

## COMPACT TRACK LOADER

### FEATURES:

The Cat<sup>®</sup> 249D Compact Track Loader, with its vertical lift design, delivers extended reach and lift height for quick and easy truck loading. Its standard, suspended undercarriage system provides superior traction, flotation, stability and speed to work in a wide range of applications and underfoot conditions. The 249D features the following:

- **Industry leading sealed and pressurized cab option** provides a cleaner and quieter operating environment with excellent work tool visibility.
- **Available high-back, heated, air ride seat with seat mounted adjustable joystick controls** makes the D Series the industry leader in operator comfort.
- **High performance power train** provides maximum performance and production capability through the Electronic Torque Management system and an electronic hand/foot throttle with decel pedal capability.
- **High Flow hydraulic system** is available for applications that demand maximum hydraulic work tool performance.
- **Broader range of applications** with an optional wide bar-tread track that delivers better traction in snow, more flotation and less ground disturbance.
- **Electronically controlled Cat C2.2 engine** provides high horsepower and torque while meeting U.S. EPA Tier 4 Final (EU Stage IIIB) emission standards.
- **Cat "Intelligent Leveling" system (ILEV)** provides industry leading technology, integration and optional features such as dual direction self level, work tool return to dig and work tool positioner.
- **Standard fully independent torsion axle suspension** combined with the optional Speed Sensitive Ride Control system improves operation on rough terrain, enabling better load retention, increased productivity and greater operator comfort.
- **Maximize machine capability and control** with optional Advanced Display providing on-screen adjustments for implement response, hystat response and creep control. Also features multi-language functionality with customizable layouts, security system and rearview camera.
- **Ground level access** to all daily service and routine maintenance points helps reduce machine downtime for greater productivity.
- **Broad range of performance matched Cat Work Tools** make the Cat Compact Track Loader the most versatile machine on the job site.

## Specifications

### Engine

| Engine Model                       | Cat C2.2 CRDI |                       |
|------------------------------------|---------------|-----------------------|
| Gross Power SAE J1995              | 50.1 kW       | 67.1 hp               |
| Net Power SAE 1349                 | 49.1 kW       | 65.8 hp               |
| Net Power ISO 9249                 | 49.6 kW       | 66.5 hp               |
| Peak Torque at 1,500 rpm SAE J1995 | 208 N-m       | 153 lbf-ft            |
| Displacement                       | 2.2 L         | 134.3 in <sup>3</sup> |
| Stroke                             | 100 mm        | 3.9 in                |
| Bore                               | 84 mm         | 3.3 in                |

### Weights\*

|                  |         |          |
|------------------|---------|----------|
| Operating Weight | 3486 kg | 7,685 lb |
|------------------|---------|----------|

### Power Train

|                                   |           |         |
|-----------------------------------|-----------|---------|
| Travel Speed (Forward or Reverse) | 11.2 km/h | 7.0 mph |
|-----------------------------------|-----------|---------|

\*Operating Weight, Operating Specifications and Dimensions all based on 75 kg (165 lb) operator, all fluids, 1676 mm (66 in) dirt bucket, 320 mm (12.6 in) tracks, standard flow hydraulics, C0 cab (ROPS, static seat), 880 CCA battery, manual quick coupler, no self level and no optional counterweights (unless otherwise noted).

### Hydraulic System

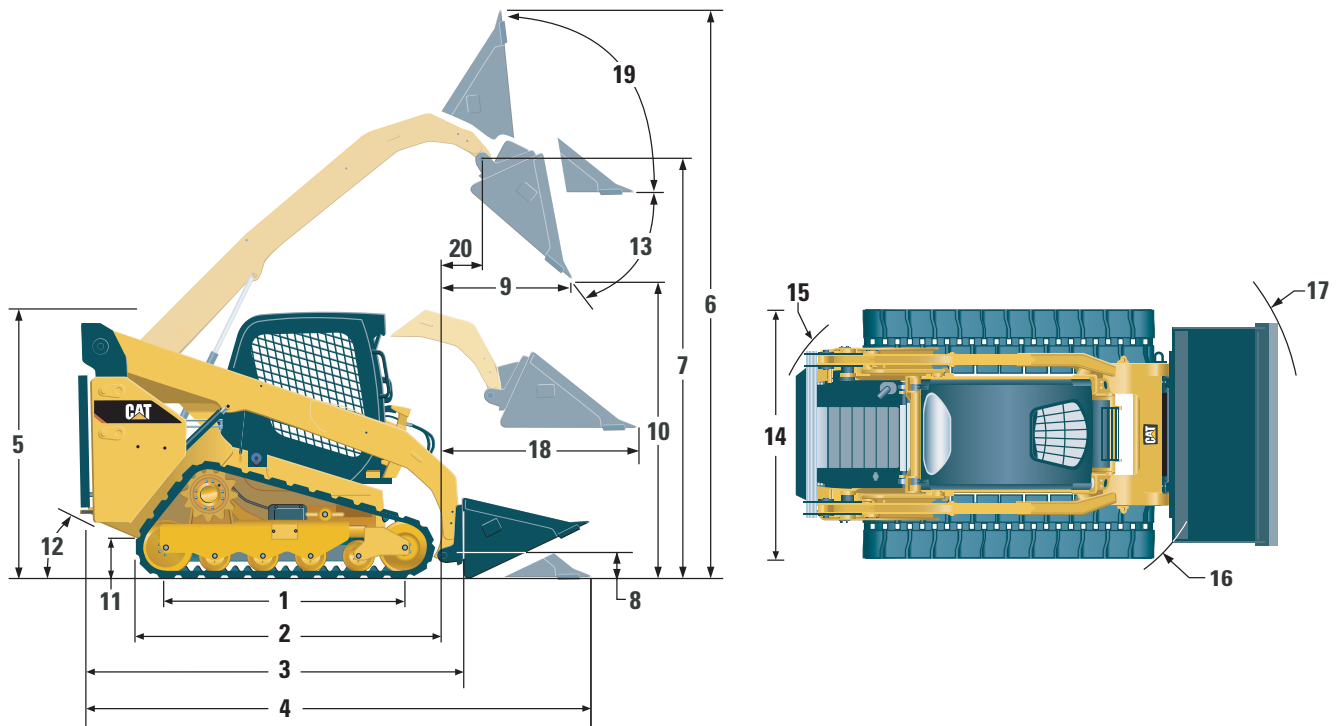
|                              |            |            |  |
|------------------------------|------------|------------|--|
| Hydraulic Flow – Standard:   |            |            |  |
| Loader Hydraulic Pressure    | 23 000 kPa | 3,336 psi  |  |
| Loader Hydraulic Flow        | 69 L/min   | 18 gal/min |  |
| Hydraulic Power (calculated) | 26.5 kW    | 35.5 hp    |  |
| Hydraulic Flow – High Flow:  |            |            |  |
| Loader Hydraulic Pressure    | 23 000 kPa | 3,336 psi  |  |
| Loader Hydraulic Flow        | 99 L/min   | 26 gal/min |  |
| Hydraulic Power (calculated) | 38.0 kW    | 50.9 hp    |  |

### Operating Specifications\*

|  |                     |                       |  |
|--|---------------------|-----------------------|--|
| Rated Operating Capacity:                            |                     |                       |  |
| 35% Tipping Load                                     | 730 kg              | 1,610 lb              |  |
| 50% Tipping Load                                     | 1044 kg             | 2,300 lb              |  |
| Rated Operating Capacity with Optional Counterweight |                     |                       |  |
| Tipping Load   | 1134 kg             | 2,500 lb              |  |
| Breakout Force, Tilt Cylinder                        | 2087 kg             | 4,600 lb              |  |
| Breakout Force, Tilt Cylinder                        | 1798 kg             | 3,963 lb              |  |
| Ground Contact Area (320 mm/12.6 in track)           | 0.89 m <sup>2</sup> | 1,373 in <sup>2</sup> |  |
| Ground Contact Area (400 mm/15.7 in track)           | 1.11 m <sup>2</sup> | 1,716 in <sup>2</sup> |  |
| Ground Pressure (320 mm/12.6 in track)               | 38.6 kPa            | 5.6 psi               |  |
| Ground Pressure (400 mm/15.7 in track)               | 31.7 kPa            | 4.6 psi               |  |



# 249D Compact Track Loader



## Dimensions\*

|    |  |         |          |
|----|--|---------|----------|
| 1  | Length of Track on Ground                  | 1384 mm | 54.5 in  |
| 2  | Overall Length of Track                    | 1808 mm | 71.2 in  |
| 3  | Length without Bucket                      | 2523 mm | 99.3 in  |
| 4  | Length with Bucket on Ground               | 3233 mm | 127.3 in |
| 5  | Height to Top of Cab                       | 2039 mm | 80.3 in  |
| 6  | Maximum Overall Height                     | 3831 mm | 150.8 in |
| 7  | Bucket Pin Height at Maximum Lift          | 3002 mm | 118.2 in |
| 8  | Bucket Pin Height at Carry Position        | 219 mm  | 8.6 in   |
| 9  | Reach at Maximum Lift and Dump             | 727 mm  | 28.6 in  |
| 10 | Clearance at Maximum Lift and Dump         | 2253 mm | 88.7 in  |
| 11 | Ground Clearance                           | 194 mm  | 7.6 in   |
| 12 | Departure Angle                            |         | 34.5°    |
| 13 | Maximum Dump Angle                         |         | 48°      |
| 14 | Vehicle Width (320 mm/12.6 in tracks)      | 1676 mm | 66.0 in  |
|    | Vehicle Width (400 mm/15.7 in tracks)      | 1756 mm | 69.1 in  |
| 15 | Turning Radius from Center – Machine Rear  | 1458 mm | 57.4 in  |
| 16 | Turning Radius from Center – Coupler       | 1160 mm | 45.7 in  |
| 17 | Turning Radius from Center – Bucket        | 2060 mm | 81.1 in  |
| 18 | Maximum Reach with Arms Parallel to Ground | 1317 mm | 51.8 in  |
| 19 | Rack Back Angle at Maximum Height          |         | 87.5°    |
| 20 | Bucket Pin Reach at Maximum Lift           | 311 mm  | 12.2 in  |

## Cab

|               |                        |
|---------------|------------------------|
| ROPS          | ISO 3471:2008          |
| FOPS          | ISO 3449:2005 Level I  |
| FOPS Level II | ISO 3449:2005 Level II |

## Service Refill Capacities

|                  |      |          |
|------------------|------|----------|
| Cooling System   | 12 L | 3.2 gal  |
| Engine Crankcase | 10 L | 2.6 gal  |
| Fuel Tank        | 57 L | 15.1 gal |
| Hydraulic System | 45 L | 11.9 gal |
| Hydraulic Tank   | 34 L | 9.0 gal  |

## MANDATORY EQUIPMENT

---

- Hydraulics, Standard or High Flow
- Quick Coupler, Mechanical or Electric
- Seat Belt, 50 mm (2 in) or 75 mm (3 in)
- EU Preparation Package (Europe only)
- Steel Imbed Rubber Track – 320 mm (12.6 in) Block Tread or 400 mm (15.7 in) Bar Tread
- Dual Flange Front Idler/Single Flange Rear Idler

## PERFORMANCE PACKAGES

- Performance Package H1: *Standard Flow Hydraulics (No Self Level)*
- Performance Package H2: *Standard Flow Hydraulics, Dual Direction Electronic Self Level (Raise and Lower), Electronic Snubbing (Raise and Lower)*
- Performance Package H3: *High Flow Hydraulics, Dual Direction Electronic Self Level (Raise and Lower), Electronic Snubbing (Raise and Lower)*

## STANDARD EQUIPMENT

---

### ELECTRICAL

- 12 volt Electrical System
- 80 ampere Alternator
- Ignition Key Start/Stop Switch
- Lights: *Gauge Backlighting, Two Rear Tail Lights, Two Adjustable Front and Rear Halogen Lights, Dome Light*
- Backup Alarm
- Heavy Duty Battery, 880 CCA

### OPERATOR ENVIRONMENT

- Gauges: *Fuel Level, Hour Meter*
- Operator Warning System Indicators: *Air Filter Restriction, Alternator Output, Armrest Raised/Operator Out of Seat, Engine Coolant Temperature, Engine Oil Pressure, Glow Plug Activation, Hydraulic Filter Restriction, Hydraulic Oil Temperature, Park Brake Engaged*
- Adjustable Vinyl Seat
- Fold In Ergonomic Contoured Armrest
- Control Interlock System, when operator leaves seat or armrest raised: *Hydraulic System Disables, Hydrostatic Transmission Disables, Parking Brake Engages*
- ROPS Cab, Open, Tilt Up
- FOPS, Level I
- Top and Rear Windows
- Floor Mat
- Interior Rearview Mirror
- 12 volt Electric Socket
- Horn
- Hand (Dial) Throttle, Electronic
- Adjustable Joystick Controls
- Anti-theft Security System with 6-button Keypad
- Storage Compartment with Netting

## OPTIONAL EQUIPMENT

---

- Hand-Foot Style Controls
- External Counterweights
- Beacon, Rotating
- Engine Block Heater – 120V
- Oil, Hydraulic, Cold Operation
- Paint, Custom
- Product Link™, Cellular
- Ride Control

## COMFORT PACKAGES

- Open ROPS (C0): *Static Seat (No Foot Throttle, Headliner, Heater or Door)*
- Open ROPS (C1): *Foot Throttle, Headliner, Cup Holder, and choice of Seat (Mechanical Suspension or High Back, Heated, Air Ride Seat) (No Heater or Door)*
- Enclosed ROPS with Heater (C2): *Foot Throttle, Headliner, Heater and Defroster, Side Windows, Cup Holder, Radio Ready, choice of Seat (Mechanical Suspension or High Back, Heated, Air Ride Seat) and Door (Glass or Polycarbonate)*
- Enclosed ROPS with A/C (C3): *C2 + Air Conditioner*

## POWER TRAIN

- Cat C2.2, Turbo Diesel Engine, Meeting Tier 4 Final/Stage IIIB Emission Standards
- Air Cleaner, Dual Element, Radial Seal
- S-O-S<sup>SM</sup> Sampling Valve, Hydraulic Oil
- Filters, Cartridge-type, Hydraulic
- Filters, Cartridge-type, Fuel and Water Separator
- ATAAC/Radiator/Hydraulic Oil Cooler (side-by-side)
- Spring Applied, Hydraulically Released Parking Brakes
- Hydrostatic Transmission, One Speed Travel
- Suspension – Independent Torsion Axles (4)

## OTHER

- Engine Enclosure, Lockable
- Extended Life Antifreeze, –36° C (–33° F)
- Machine Tie Down Points (6)
- Support, Lift Arm
- Hydraulic Oil Level Sight Gauge
- Radiator Coolant Level Sight Gauge
- Radiator, Expansion Bottle
- Cat ToughGuard™ Hose
- Auxiliary, Hydraulics, Continuous Flow
- Heavy Duty, Flat Faced Quick Disconnects with Integrated Pressure Release
- Split D-Ring to Route Work Tool Hoses Along Side of Left Lift Arm
- Electrical Outlet, Beacon
- Belly Pan Cleanout
- Variable Speed Demand Fan

- Advanced Display: Full Color, 5 in LCD screen, Advanced Multi-operator Security System, On-screen Adjustments for Implement Response, Hystat Response, and Creep Control; Rearview Camera Ready
- Advanced Display: Rearview Camera Included (standard equipment in Europe only)
- Work Tool Return to Dig and Work Tool Positioner
- Bluetooth Radio with Microphone (AM/FM/Weather Band Receiver with USB and Auxiliary Input Jack)

# 249D Compact Track Loader

---

For more complete information on Cat products, dealer services, and industry solutions, visit us on the web at [www.cat.com](http://www.cat.com)

© 2016 Caterpillar  
All rights reserved

Materials and specifications are subject to change without notice. Featured machines in photos may include additional equipment. See your Cat dealer for available options.

CAT, CATERPILLAR, SAFETY.CAT.COM, their respective logos, "Caterpillar Yellow" and the "Power Edge" trade dress, as well as corporate and product identity used herein, are trademarks of Caterpillar and may not be used without permission.

AEHQ7489-01 (04-2016)  
Replaces AEHQ7489

